

SUBMERSIBLE PUMPS

FW1185
1020
Supersedes
0820

FOR 6" through 8" WELLS

Series "6P", "6T" and "8T"

High capacity 5", 6" or 7" submersible pumps for commercial, industrial, agricultural, municipal and other deep well, large water volume applications

- Cast iron suction and discharge housings
- Stainless steel pump shaft and coupling
- Mounting rings available for 5 HP 4" motors, 5 thru 60 HP 6" motors and 75 & 100 HP 8" motors
- Complete selection of submersible stainless steel motors:

Single-phase - 5, 7-1/2 and 10 HP

Three-phase - 5 thru 100 HP



6P, 6T and 8T
Submersibles

80 to 250 GPM for 6" Wells

325 GPM for 7" Wells

400 GPM for 8" Wells*

9" or larger required if using 8" motor



FLINT & WALLING
FLINT & WALLING

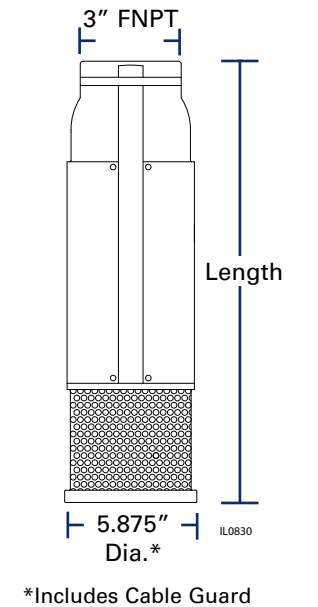
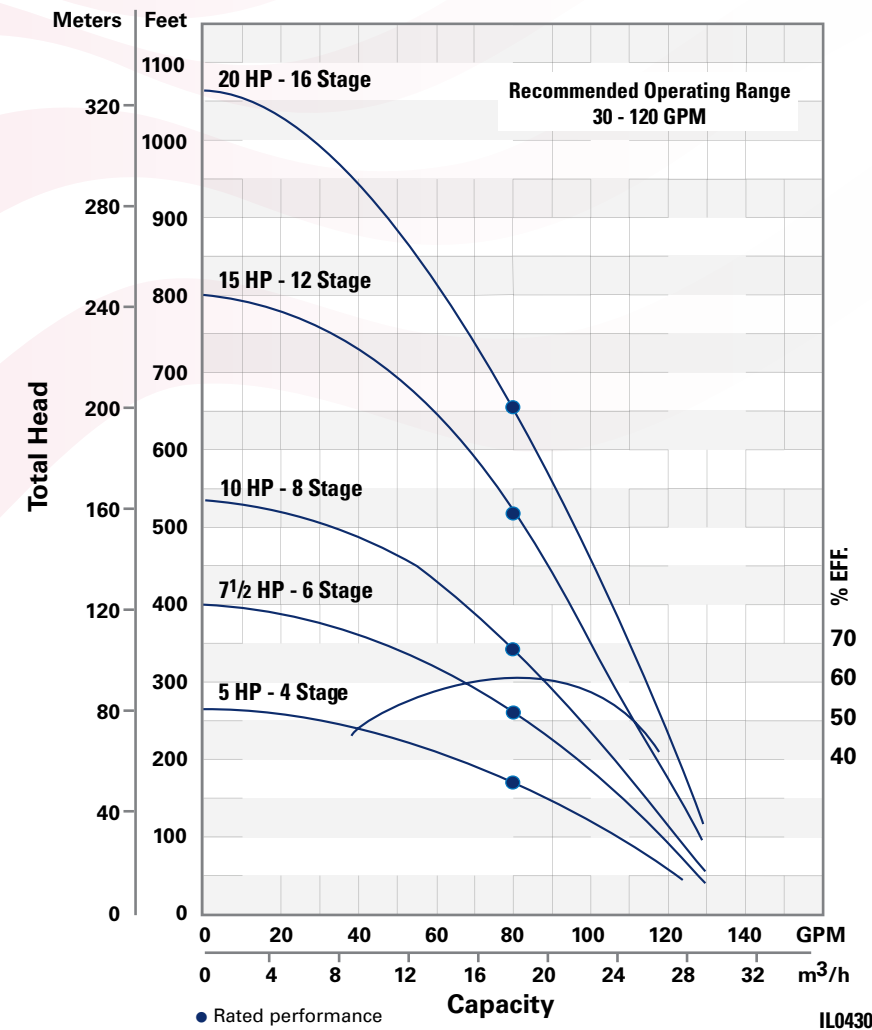
6P SERIES 5 TO 30 HP- 80 AND 120 GPM



6T & 8T SERIES 5 TO 100 HP-150, 200, 250, 325 AND 400 GPM



*6" Minimum Inside Well Diameter



6P, 6T & 8T FEATURES & BENEFITS

Component Description	6P Series 80 & 120 GPM 5-30HP	6T & 8T Series 150, 200, 250, 325 & 400 GPM 5-100 HP
Discharge	Cast Iron with closed sintered lead free sleeve bearing, 3" NPT	Cast iron 3" NPT on 6T Series, 4" NPT on all 325 GPM 8T Series and 400 GPM 8T Series up to 40 HP. 5" F / 6" M NPT with enclosed bearing on 400 GPM 8 Series - 50 HP and above
Motor Bracket	Cast Iron for 4 and 6" NEMA Std motors	Cast Iron with bronze sleeve bearing. For 4, 6 and 8" NEMA Std motors (availability varies with model)."
Suction Screen	430 SST	416 SST
Motor Coupling	One-piece SST	416 SST
Sand Collar	n/a	Bronze - helps protect motor bracket bearing from sand
Staging	304 heavy wall SST shell, fiberglass reinforced Noryl® diffusers and axial mixed flow impellers, acetal diffuser plates."	Cast iron porcelain lined threaded bowls with 304 SST Impellers. Bronze impellers on 200 GPM pumps.
Stage Bearings	SST sleeve and marine rubber radial bearing	Rubber and bronze
Collet	n/a	416 SST - split tapered design locks impeller to shaft
Thrust collar	SST thrust bearing in each stage	Bronze - helps protect against upthrust
Pump Shaft	416 SST 3/4" hex drive shaft	416 SST
Cable Guard	302 SST	SST

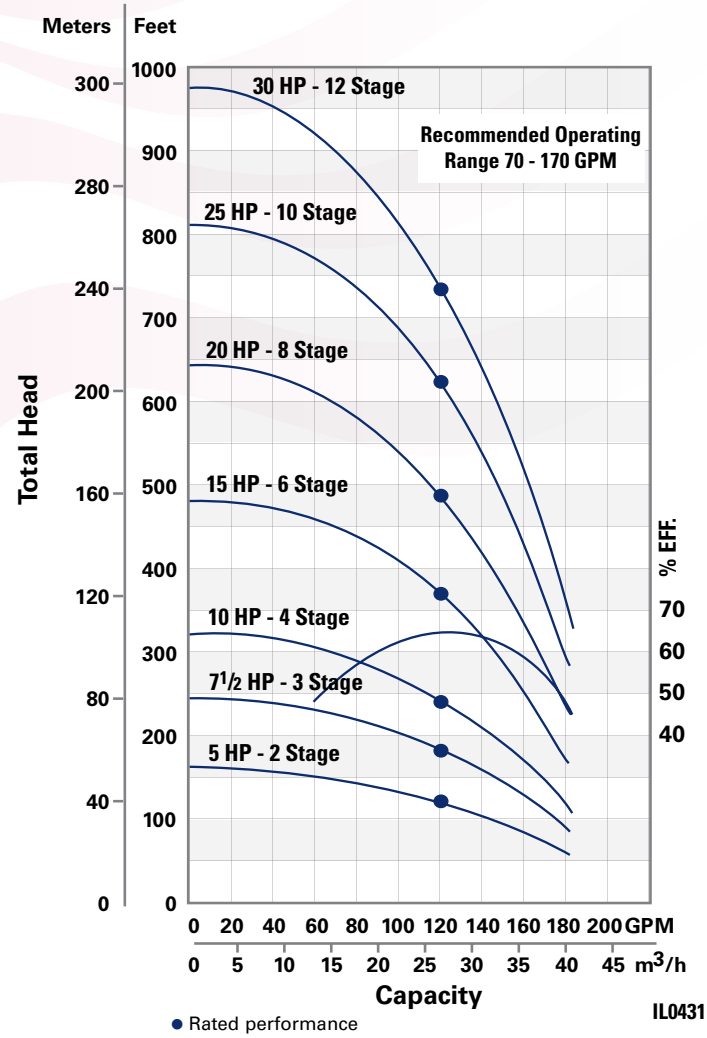
NOTE: Check Valve not supplied

80 GPM

Model No.	HP	Motor Size	Stages	Phase	Length	
					Pump	Motor
6P080A05	5	4"	4	1	21.5	28.2
6P080A056		3		22.2		
6P080A07	7-1/2	6"	6	1	26.4	28.0
				3		24.2
6P080A10	10	6"	8	1	31.3	30.6
				3		25.4
6P080A15	15	6"	12	1	41.2	33.1
				3		28.0
6P080A20	20	6"	16	3	51.1	30.6



*6" Minimum Inside Well Diameter

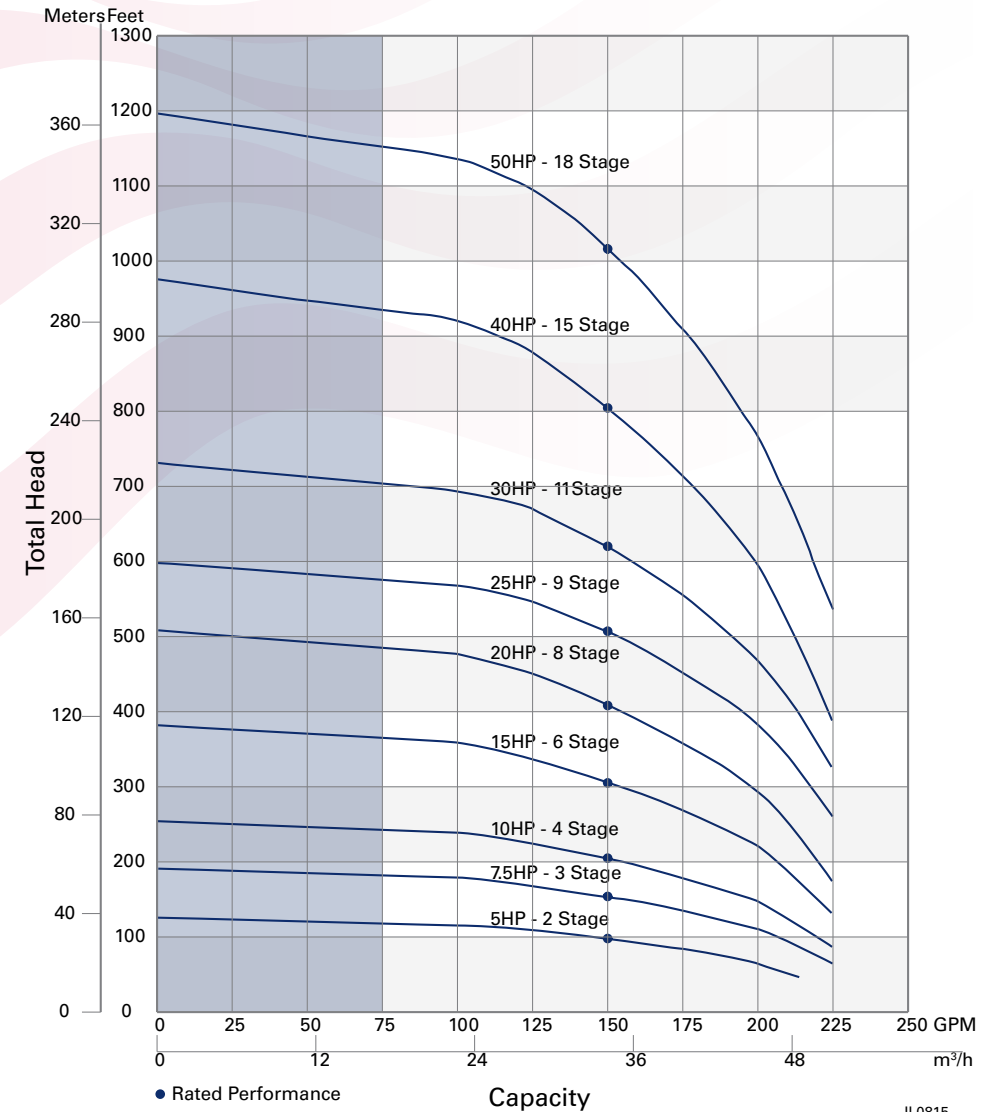


120 GPM

Model No.	HP	Motor Size	Stages	Phase	Length		Efficiency at Rated Flow
					Pump	Motor	
6P120A05	5	4"	2	1	28.2		
				3	22.2		
6P120A056	5	6"	2	1	16.6	25.4	74%
				3	22.9	28.0	
6P120A07	7-1/2	6"	3	1	19.0	24.2	75%
6P120A10	10	6"	4	1	21.5	30.6	76%
				3	25.4	28.0	
6P120A15	15	6"	6	1	26.4	33.1	76%
				3	28.0	30.6	
6P120A20	20	6"	8	3	31.3	30.6	76%
6P120A25	25	6"	10	3	36.3	33.1	76%
6P120A30	30	6"	12	3	41.2	35.7	76%



*6" Minimum Inside Well Diameter

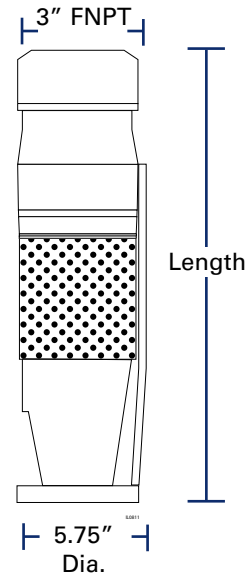
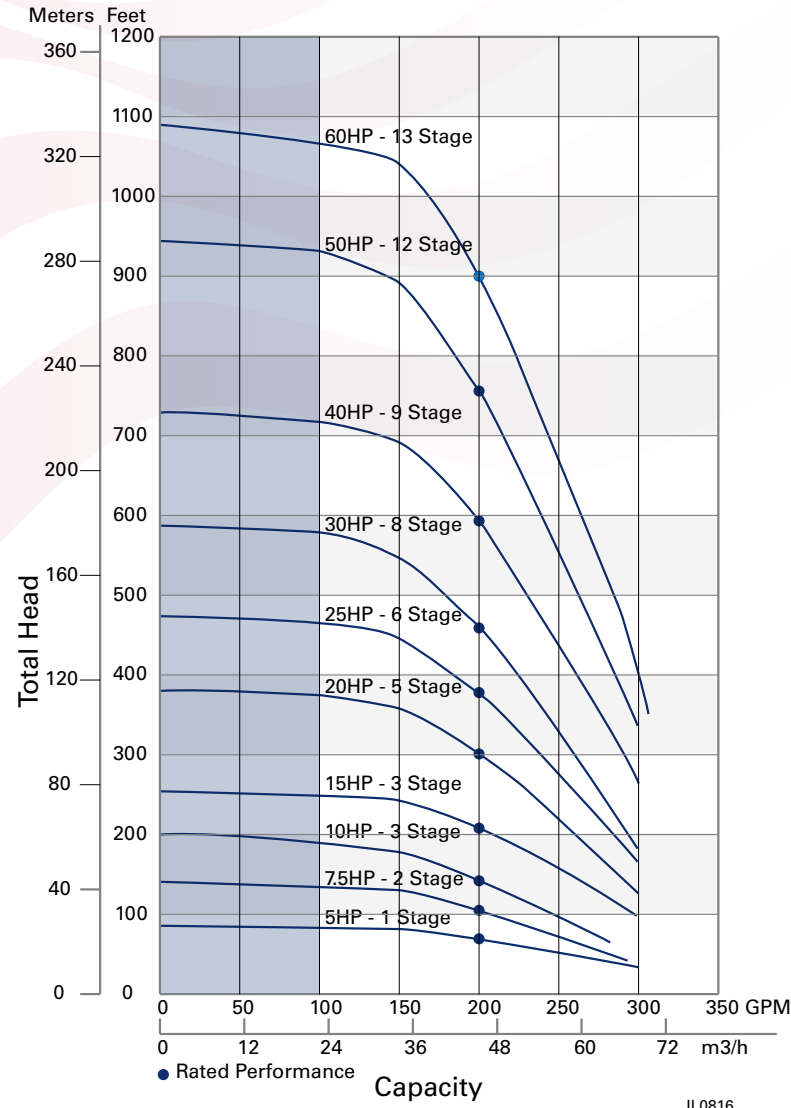


150 GPM

Model No.	HP	Motor Size	Stages	Phase	Length (Inches)		Efficiency at Rated Flow
					Pump	Motor	
6T150B05	5	4"	2	1	28.2		74%
				3	22.2		
6T150B056	5	6"	2	1	22.8	25.4	74%
				3	22.9	28.0	
6T150B07	7-1/2	6"	3	1	27.4	24.2	75%
6T150B10	10	6"	4	1	32.0	30.6	76%
				3	25.4	28.0	
6T150B15	15	6"	6	1	41.3	33.1	76%
				3	28.0	30.6	
6T150B20	20	6"	8	3	50.5	30.6	76%
6T150B25	25	6"	9	3	55.1	33.1	76%
6T150B30	30	6"	11	3	64.8	35.7	76%
6T150B40	40	6"	15	3	82.9	40.8	76%
6T150B50	50	6"	18	3	96.8	55.3	76%



***6" Minimum Inside Well Diameter**



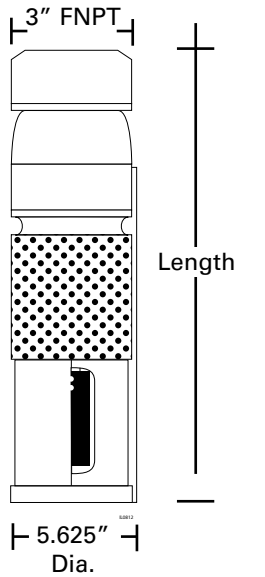
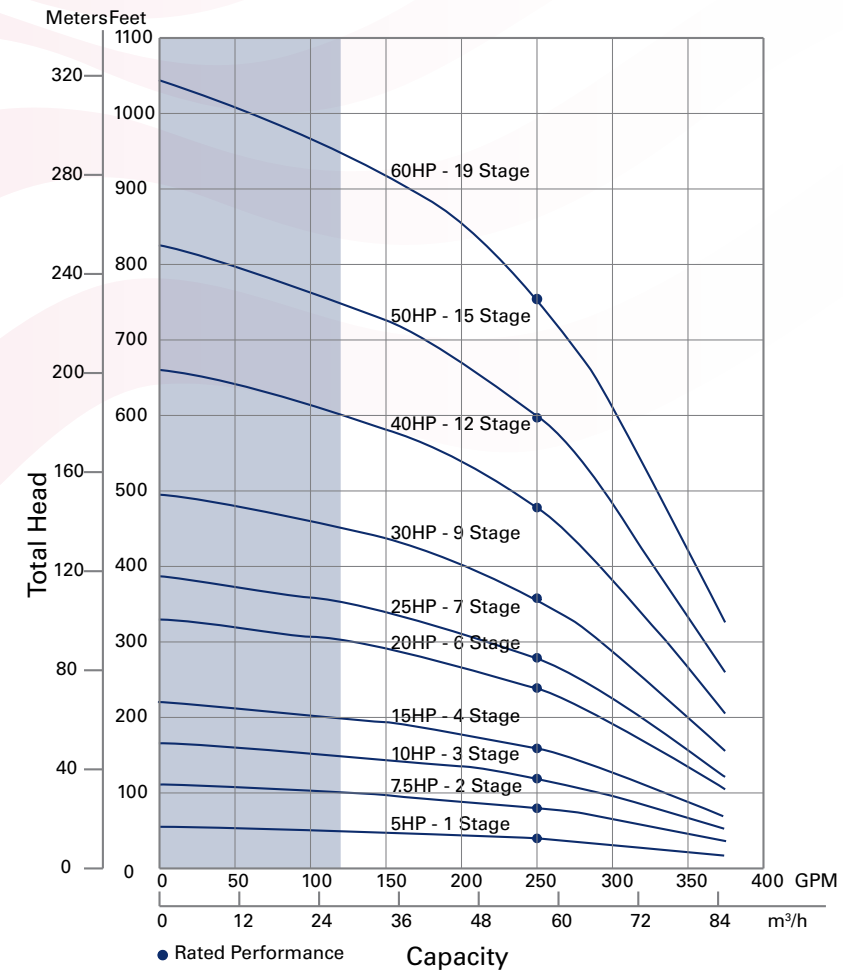
IL0816

200 GPM (Not available with 4" motor bracket)

Model No.	HP	Motor Size	Stages	Phase	Length (Inches)		Efficiency at Rated Flow
					Pump	Motor	
6T200B056	5	6"	1	1	17.1	25.4	72%
6T200B07	7-1/2	6"	2	1	22.0	28.0	72%
				3	24.2	30.6	
6T200B10	10	6"	3	1	26.9	30.6	69%
				3	25.4	25.4	
6T200B15	15	6"	3	1	26.9	33.1	74%
				3	28.0	28.0	
6T200B20	20	6"	5	3	36.6	30.6	76%
6T200B25	25	6"	6	3	41.5	33.1	76%
6T200B30	30	6"	8	3	51.3	35.7	75%
6T200B40	40	6"	9	3	56.1	40.8	76%
6T200B50	50	6"	12	3	70.8	55.3	76%
6T200B60	60	6"	13	3	75.6	61.3	75%



***6" Minimum Inside Well Diameter**



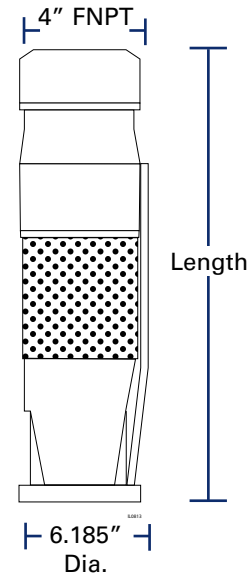
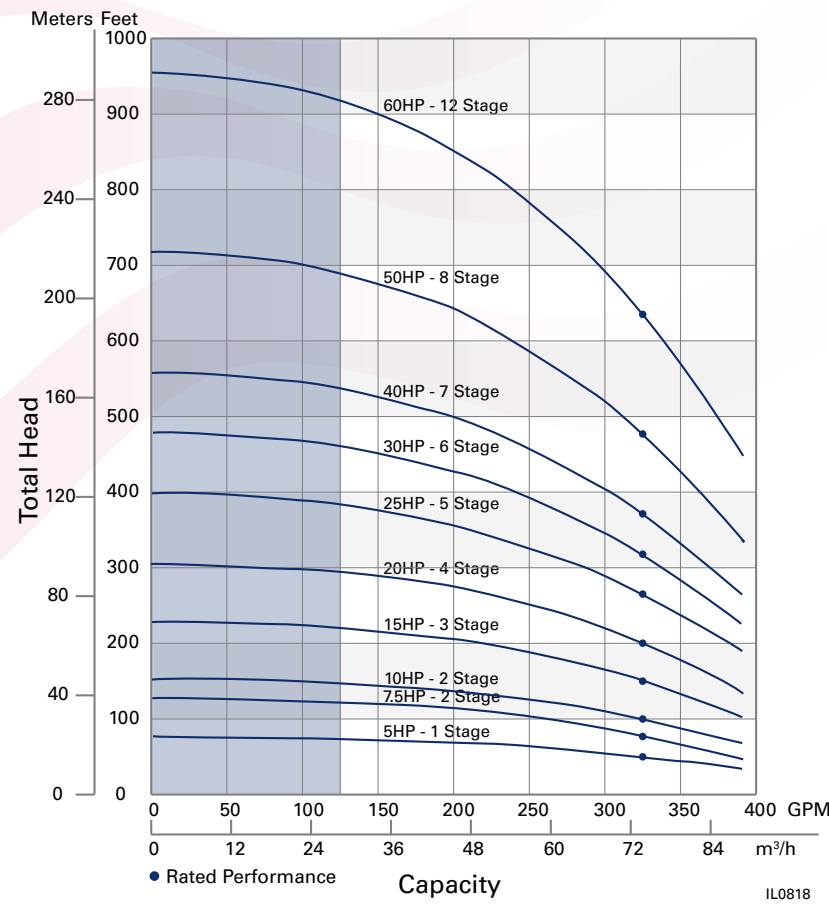
IL0817

250 GPM

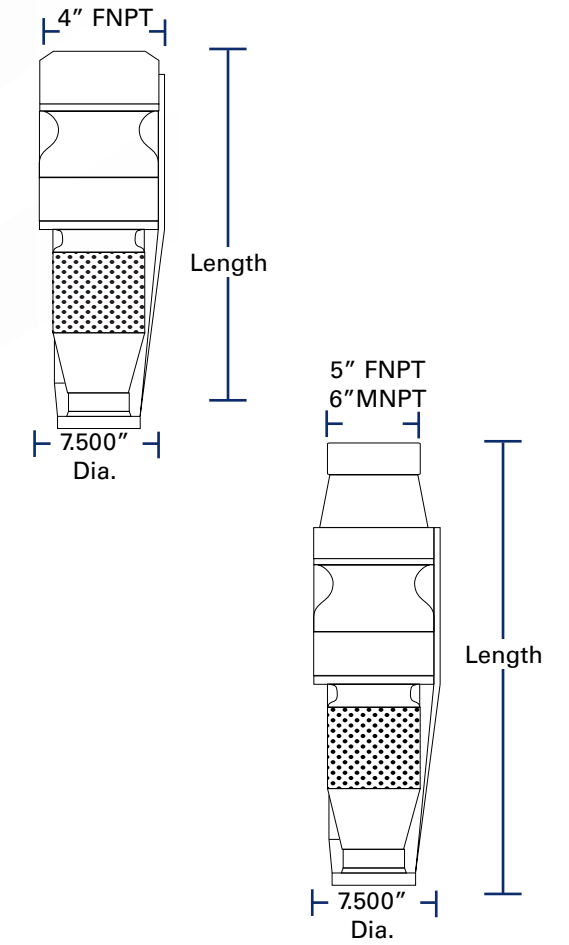
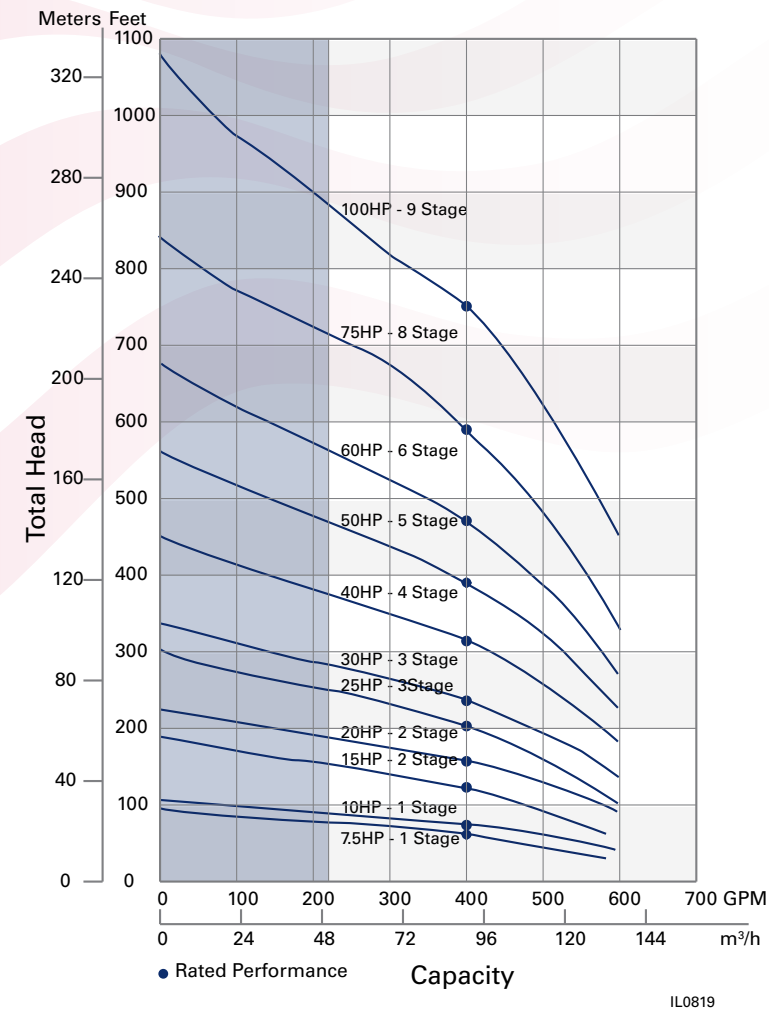
Model No.	HP	Motor Size	Stages	Phase	Length (Inches)		Efficiency at Rated Flow
					Pump	Motor	
6T250B05	5	4"	1	1	28.2	22.2	68%
6T250B056				3	18.4	25.4	
6T250B07	7-1/2	6"	2	1	23.3	28.0	69%
				3	24.2	24.2	
6T250B10	10	6"	3	1	28.1	30.6	70%
				3	25.4	25.4	
6T250B15	15	6"	4	1	33.0	33.1	71%
				3	28.0	28.0	
6T250B20	20	6"	6	3	42.8	30.6	71%
6T250B25	25	6"	7	3	47.6	33.1	71%
6T250B30	30	6"	9	3	57.4	35.7	71%
6T250B40	40	6"	12	3	72.0	40.8	71%
6T250B50	50	6"	15	3	86.6	55.3	71%
6T250B60	60	6"	19	3	106.1	61.3	71%



7" Minimum Inside Well Diameter*



*8" Minimum Inside Well Diameter



325 GPM

Model No.	HP	Motor Size	Stages	Phase	Length (Inches)		Efficiency at Rated Flow
					Pump	Motor	
8T325B05	5	6"	1	1	17.1	25.4	74%
8T325B07	7-1/2	6"	2	1	22.1	28.0	75%
				3	24.2	30.6	
8T325B10	10	6"	2	1	22.1	25.4	76%
				3	27.0	33.1	
8T325B15	15	6"	3	3	27.0	28.0	76%
8T325B20	20	6"	4	3	31.9	30.6	74%
8T325B25	25	6"	5	3	36.9	33.1	77%
8T325B30	30	6"	6	3	41.8	35.7	77%
8T325B40	40	6"	7	3	46.8	40.8	77%
8T325B50	50	6"	9	3	56.6	55.3	77%
8T325B60	60	6"	12	3	71.4	61.3	77%

400 GPM

Model No.	HP	Motor Size	Stages	Phase	Length (Inches)		Efficiency at Rated Flow	Discharge
					Pump	Motor		
8T400B07	7-1/2	6"	1	1	25.0	28.0	73%	4" NPT
8T400B10	10	6"	1	3	25.0	24.2	72%	4" NPT
				1	25.0	30.6		
8T400B15	15	6"	2	3	32.3	25.4	74%	4" NPT
				1	32.3	33.1		
8T400B20	20	6"	2	3	32.3	28.0	73%	4" NPT
8T400B25	25	6"	3	3	39.5	30.6	73%	4" NPT
8T400B30	30	6"	3	3	39.3	33.1	75%	4" NPT
8T400B30	30	6"	3	3	39.3	35.7	74%	4" NPT
8T400B40	40	6"	4	3	46.8	37.7	75%	4" NPT
8T400B50	50	6"	5	3	54.0	40.8	75%	4" NPT
8T400B60	60	6"	6	3	61.3	55.3	75%	5" FNPT - 6" MNPT
8T400B75	75	8"	8	3	75.8	61.3	75%	5" FNPT - 6" MNPT
8T400B100	100	8"	9	3	83.0	47.4	75%	5" FNPT - 6" MNPT
8T400B100	100	8"	9	3	83.0	54.9	74%	5" FNPT - 6" MNPT



"6T" Submersible Pump Selection Charts

"6T" Series 200 GPM Turbine Pump																																
Model	HP	Stg.	Disch. Press.	Depth To Water In Feet - Capacities In Gallons Per Minute																					Max. Press.							
				50	100	150	200	250	300	350	400	450	500	550	600	650	700	750	800	850	900	950	1000	1050	Ft.	PSI						
6T200B05 6T200B056	5	1	0 20 40 60	254																								84	36			
6T200B07	7-1/2	2	0 20 40 60	281 215	209																								140	60		
6T200B10	10	3	0 20 40 60	247 200	243 195	190																							200	86		
6T200B15	15	3	0 20 40 60	299 261 220	296 258 217 153	254 213 147	208 101																						251	109		
6T200B20	20	5	0 20 40 60	290 266	288 239	286 238 208	260 206 169	233 204 166	201 162	158																			380	164		
6T200B25	25	6	0 20 40 60	309 288	307 267	305 285 245	284 264 221	262 242 193	240 218 157	216 189 154	186 150	146																	471	204		
6T200B30	30	8	0 20 40 60	287	296 280	295 264	278 247	261 230	245 209	227 185	206 156	181 154	179 151	148															587	254		
6T200B40	40	9	0 20 40 60		307 293	305 279	292 265	278 250	264 236	250 220	235 202	219 181	201 154	198 152	176 149	147														730	316	
6T200B50	50	12	0 20 40 60			307 297	307 286	296 275	285 264	275 254	264 243	253 231	242 219	231 205	218 190	204 173	189 151	172 151	150	146											942	407
6T200B60	60	13	0 20 40 60				304 295	295 285	285 275	275 264	264 254	253 243	242 231	231 219	218 205	204 173	189 151	172 151	150	146											1088	470

"6T" Submersible Pump Selection Charts

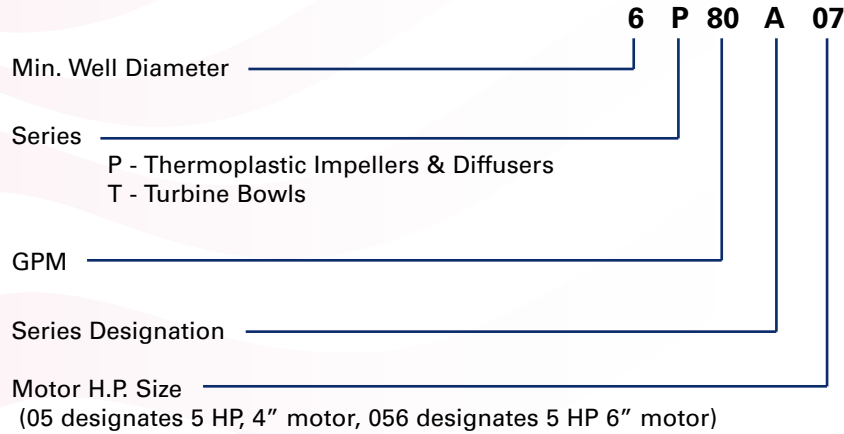
"6T" Series 250 GPM Turbine Pump																														
Model	HP	Stg.	Disch. Press.	Depth To Water In Feet - Capacities In Gallons Per Minute																					Max. Press.					
				50	100	150	200	250	300	350	400	450	500	550	600	650	700	750	800	850	900	950	Ft.	PSI						
6T250B05 6T250B056	5	1	0 20 40 60	122																									55	24
6T250B07	7-1/2	2	0 20 40 60	336 156	122																								110	48
6T250B10	10	3	0 20 40 60	377 301 168	293 147	122																							165	71
6T250B15	15	4	0 20 40 60	341 279 170	336 273 158	267 142	122																						220	95
6T250B20	20	6	0 20 40 60	381 342 304	377 339 250	336 297 155	293 239 136	234 122																					330	143
6T250B25	25	7	0 20 40 60	359 326	353 288	319 237	278 151	223 144	122																				385	166
6T250B30	30	9	0 20 40 60	382 356	377 329	349 301	322 266	293 221	258 147	205 140	122																	495	214	
6T250B40	40	12	0 20 40 60	381 361	379 360	358 339	338 297	317 271	295 239	269 197	237 136	193 130	189 130	122														660	285	
6T250B50	50	15	0 20 40 60	381 364	380 363	363 348	347 331	330 315	314 297	296 276	275 255	253 225	223 188	185 137	134													825	357	
6T250B60	60	19	0 20 40 60			384 371	368 357	355 344	342 332	330 319	317 306	304 290	287 273	271 257	253 233	230 207	202 175	168 132	122										1045	452

NOTE: Friction loss not included in selection charts.



Submersible Pumps For 6" through 8" Wells

MODEL NO. CODE 80, 120, 150, 200, 250, 325 & 400 GPM



Order pump, motor and control box separately. Magnetic starters for three phase must be purchased locally. Lead wire assembly included with motor.

4", 6" & 8" SUBMERSIBLE MOTORS & CONTROL BOXES

HP Rating	Diameter	Voltage & Phase	Motor Order No.	Control Box Order Number
5	4"	230V/1PH	137456	135269
	4"	200V/3PH	137469	
	4"	230V/3PH	137470	
	4"	460V/3PH	137472	
	6"	230V/1PH	126551	137225
	6"	200V/3PH	133492	
	6"	230V/3PH	133493	
7-1/2	6"	460V/3PH	133494	
	6"	230V/1PH	126553	135271
	6"	200V/3PH	130646	
	6"	230V/3PH	126552	
10	6"	460V/3PH	128876	
	6"	230V/1PH	134134	135273
	6"	200V/3PH	130647	
	6"	230V/3PH	126554	
15	6"	460V/3PH	128875	
	6"	230V/1PH	136361	136362
	6"	230V/3PH	126555	
20	6"	460V/3PH	128884	
	6"	230V/3PH	128754	
25	6"	460V/3PH	128888	
	6"	230V/3PH	128755	
30	6"	460V/3PH	128890	
	6"	230V/3PH	128964	
40	6"	460V/3PH	128965	
	6"	460V/3PH	021003	
50	6"	460V/3PH	021004	
60	6"	460V/3PH	023029	
75	8"	460V/3PH	023030	
100	8"	460V/3PH	023031	

DOE Compliance

PUMP MODEL	Impeller Dia.	P.E.I.
6P080	4.512	0.97
6P120	4.768	0.98

PUMP MODEL	Impeller Diameter	P.E.I.
6T150B	4.125	0.87
6T200B	4.515	0.98

PUMP MODEL	Impeller Diameter	P.E.I.
6T250B	4.125	0.93
8T325B	4.750	0.87

