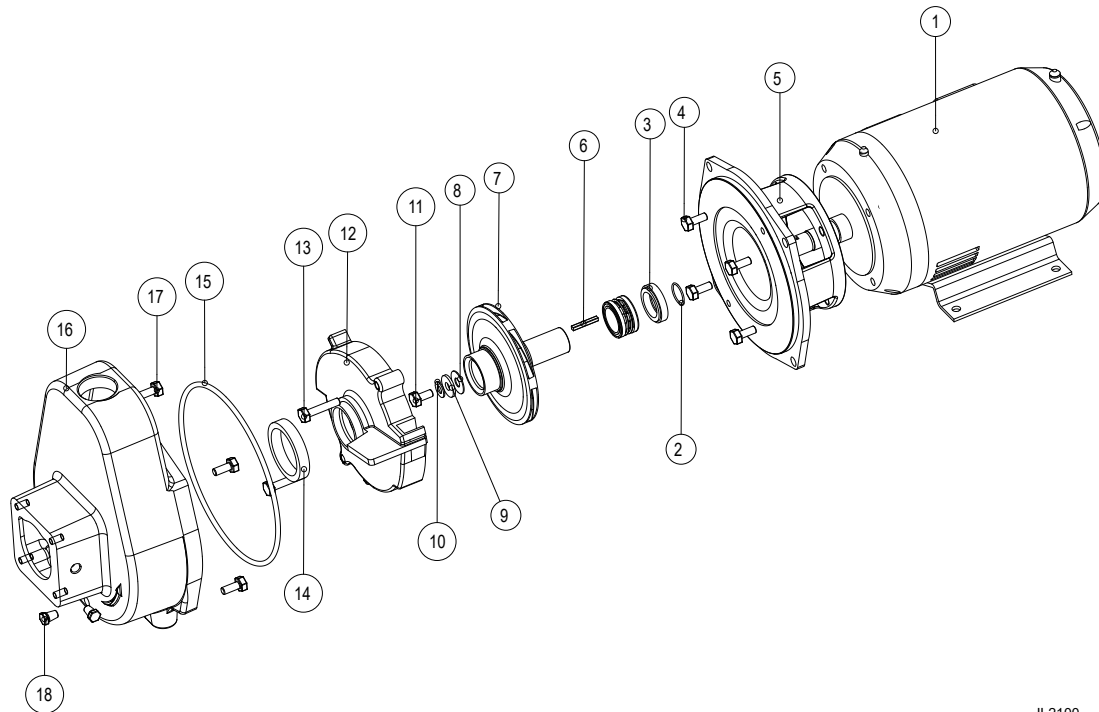


SPM SERIES HIGH POWER CENTRIFUGALS

(For Pricing Refer To Repair Parts Price List)



IL2100

ITEM	DESCRIPTION	QTY	3 HP 1 PH	3 HP 3 PH	5 HP 1 PH	5 HP 3 PH
			PART #	PART #	PART #	PART #
1	BALDOR MOTOR	1	134962	134965	134963	134966
2	O-RING, 1.00 x .07" THICKNESS	1	024893	024893	024893	024893
3	MECHANICAL SEAL, JOHN CRANE TYPE 2100, 1.25"	1	024901	024901	024901	024901
4	CAP SCREW, 3/8-16 x .875" LONG	4	*	*	*	*
5	MOUNTING RING	1	024898	024898	024898	024898
6	KEY BALDOR	1	025247	025247	025247	025247
7	IMPELLER	1	025245	025245	025246	025246
8	GASKET, OD 1.15", ID.45" x .03" THICKNESS	1	025501	025501	025501	025501
9	WASHER, OD1.125", ID.415" x .125" THICKNESS	1	024905	024905	024905	024905
10	GASKET, OD.66", ID.35" x .05" THICKNESS	1	025502	025502	025502	025502
11	CAP SCREW, 3/8-16 x .75" LONG	1	*	*	*	*
12	DIFFUSER w/WEAR RING	1	024908	024908	024908	024908
13	CAP SCREW, 3-16 x 1.75" LONG	2	*	*	*	*
14	DIFFUSER RING GASKET, OD 3.0", ID2.4" x .53" THICKNESS	1	024909	024909	024909	024909
15	GASKET, 8.84" X 0.23" THICKNESS	1	024899	024899	024899	024899
16	PUMP BODY	1	024910	024910	024911	024911
17	CAP SCREW, 3/8-16 x .875" LONG	4	*	*	*	*
18	PIPE PLUG, 1/4" NPT	2	024593	024593	024593	024593
order from catalog	SUCTION FLANGE KIT	1	024912	024912	024913	024913