

CITY WATER BOOSTER PUMP

FW1492
1020
Supersedes
0917



More pressure where you want it . . . when you need it!

- All-in-one unit, consisting of pump, motor, stainless steel pressure tank and electronic controller
- Compact design and quiet operation make it suitable for many applications
- System has automatic built-in diagnostics to protect against:
 - Run Dry
 - Dead Head
 - Rapid Cycling
- Impeller constructed of stainless steel with stainless steel bearing and shaft sleeve
- 1 in. stainless steel inlet and outlet flanges



1/2 and 1 HP , 115V

Pressures to 112 PSI

Flow rates to 27 GPM



City Water Booster Pump

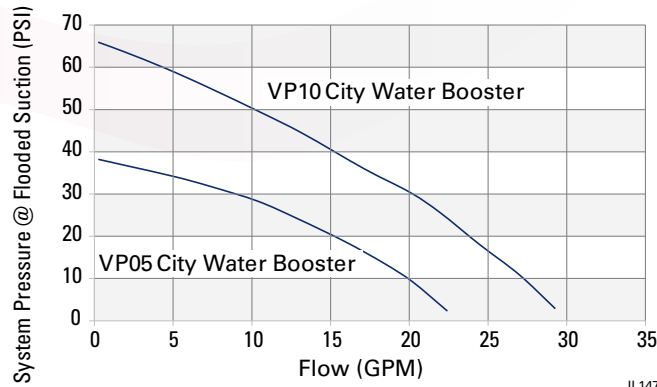
PERFORMANCE

DO NOT EXCEED 30 PSI incoming pressure

DO NOT EXCEED 50 PSI INCOMING PRESSURE

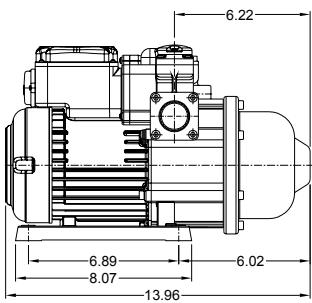
Inlet PSI	VP05 System Pressure (PSI) at Flow Rates (GPM)							HP
	3	6	9	12	15	18	21	
10	43	36	35	31	26	-	-	1/2
20	53	46	45	41	36	-	-	
30	63	56	55	51	46	-	-	

Inlet PSI	VP10 System Pressure (PSI) at Flow Rates (GPM)							HP
	3	6	9	12	15	18	21	
10	72	67	61	56	50	45	39	1
20	82	77	71	66	60	55	49	
30	92	87	81	76	70	65	59	
40	102	97	91	86	80	75	69	
50	112	107	101	96	90	85	79	

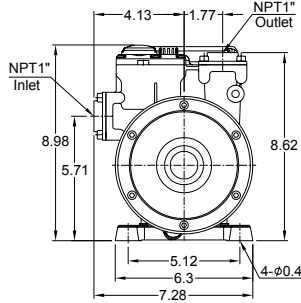


IL1473

Outline / Dimensional Size



VP05



VP10

IL1212

TYPICAL INSTALLATION

