

Centrifugal Pump Submittal Data

FW0547 1220
Supersedes 0319

Job or Customer	
Engineer	
Contractor	
Submitted by	Date
Approved by	Date
Specification Reference	
Quote Date	Quote Number



SPJ SERIES

Quantity	Model Number	System Discharge Pressure (PSI)	Flow (GPM)	System Inlet Pressure (PSI)	Volts	Phase	Comments

SPECIFICATIONS

HP	Type	Volts	Hz	RPM	Motor Voltage (Factory) Connected	Service Factor Motor Amps				Max Liquid Temp	Max Suction Lift
						Single Phase		Three Phase			
						115V	230V	230V	460V		
3/4	Single Ph	115/230	60	3450	115V	14.0	7.0	-	-	180°F	25 Ft.
1					230V	18.0	9.0				
1-1/2					230V	21.0	10.5				
2					230V	25.0	12.5				
3					230	-	13.5				
3/4	Three Ph	208-230/460	60/50	3450/2850	230V	-	-	3.5	1.75	180°F	25 Ft.
1								4.5	2.25		
1-1/2								5.7	2.85		
2								7.4	3.70		
3								9.8	4.90		

Suction lift varies, depending upon elevation (altitude) and water temperatures.



Centrifugal Pump Submittal Data

PERFORMANCE CHART

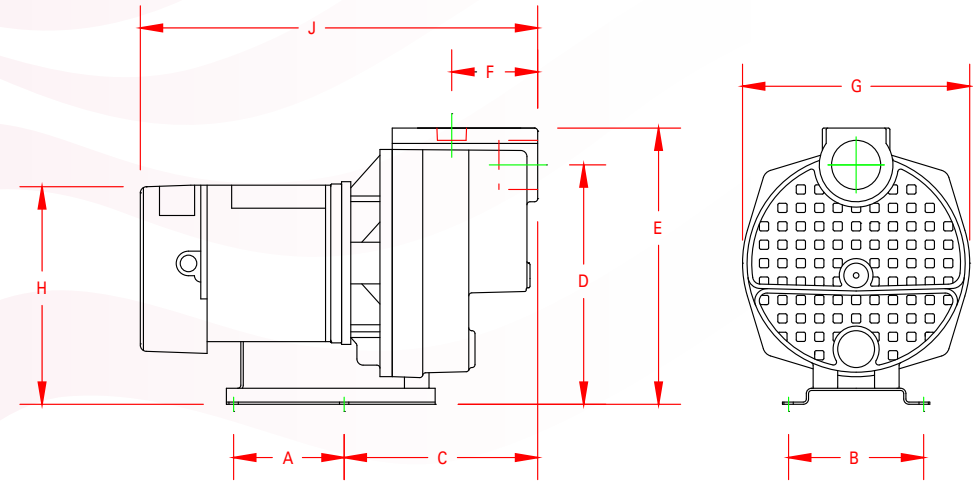
Model Number	HP	Suction Lift Ft.	Discharge Pressure PSI								Shut-Off Pressure PSI	Suction Pipe Tap	Disch. Pipe Tap
			10	15	20	25	30	35	40	45			
SPJ07P1	3/4	5	56	48	42	37	29	21			41	2"	1-1/2"
SPJ10P1	1	5	58	53	48	43	38	32	23	11	48	2"	1-1/2"
SPJ15P1	1-1/2	5	78	77	74	70	62	53	43	30	47	2"	1-1/2"
SPJ20B1	2	5	86	84	81	77	71	62	52	40	50	2"	1-1/2"
SPJ30B1	3	5	88	86	85	84	80	73	64	53	54	2"	1-1/2"

Motor voltage: Single Phase 3/4 - 2 HP - 115/230V; 3 HP - 230V, 60Hz
 Three Phase 3/4 - 2 HP - 208 - 230/460V, 50/60Hz; 3 HP - 208 - 230/460V, 60Hz
 Maximum Case Pressure: 100 PSI

**Less than 50% US content

Centrifugal Pump Submittal Data

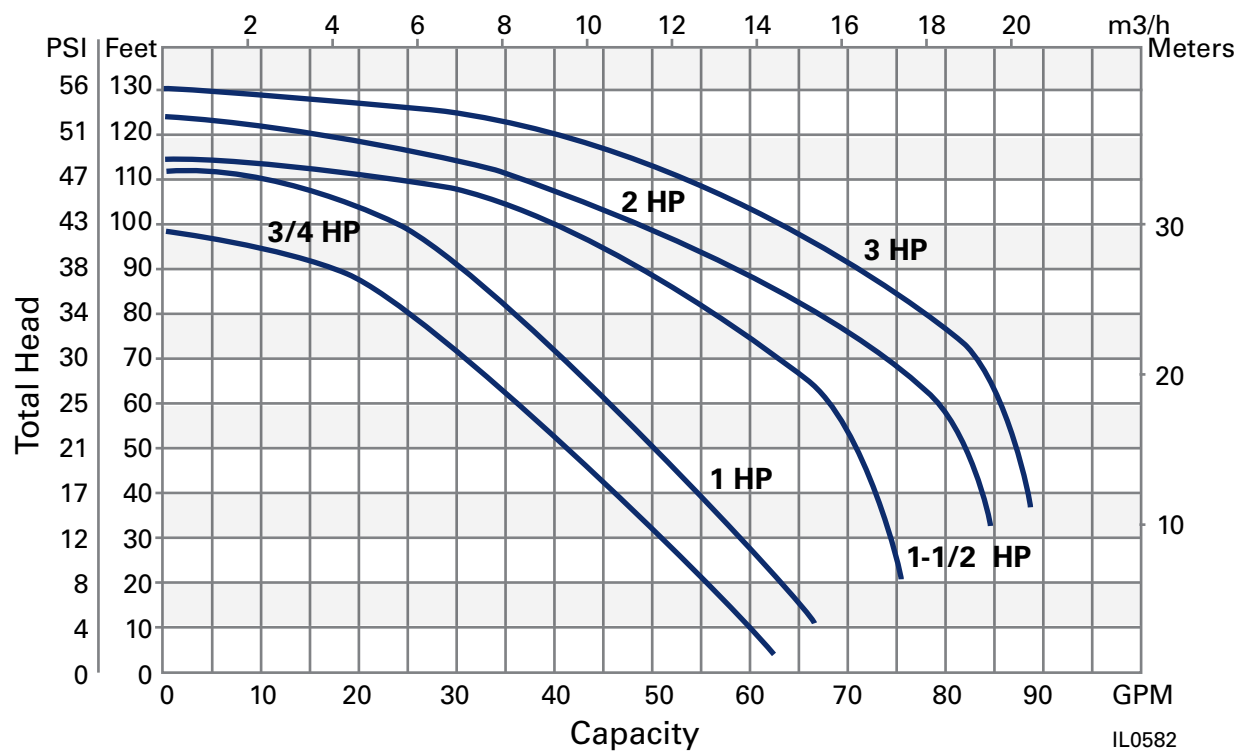
PUMP DIMENSIONS 60 HZ



IL0397

HP	Dimensions (In Inches)									Lbs Ship Wt
	A	B	C	D	E	F	G	H	J	
3/4	4-1/2	5-1/2	7-7/8	9-3/4	11-1/8	3-1/2	8-3/4	8-3/4	16-1/2	62
1	4-1/2	5-1/2	7-7/8	9-3/4	11-1/8	3-1/2	8-3/4	8-3/4	17	68-3/4
1-1/2	4-1/2	5-1/2	7-7/8	9-3/4	11-1/8	3-1/2	8-3/4	8-3/4	17-5/8	74-1/2
2	4-1/2	5-1/2	7-7/8	9-3/4	11-1/8	3-1/2	8-3/4	8-3/4	18-1/8	78
3	4-1/2	5-1/2	7-7/8	9-3/4	11-1/8	3-1/2	8-3/4	8-3/4	18-1/8	78-3/4

PERFORMANCE CURVES



IL0582

PUMP DATA

Flow Range 1.5 to 88 GPM
 Pressure Boost Range 33 - 55 PSI
 Liquid Temperature -- Brass Impellers 34° F to 200° F
 Liquid Temperature -- Plastic Impellers 34° F to 160° F
 Maximum Case Pressure 100 PSI



Agency Approvals
 Duty Cycle Continuous
 Pumping Medium Clear Water
 Service/Repair Information Pump and Motor Field Serviceable

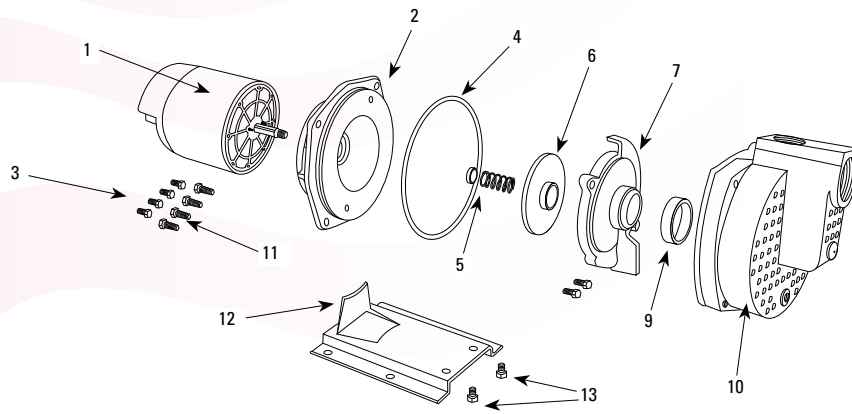
MOTOR DATA

HP	Locked-Rotor Torque (Starting Torque)	Single Phase						3 Phase				
		S.F.	Max. Amb.	Max. Amb. @ SF before Overload Tripping	Breakdown Torque	Peak Output Power		S.F.	Max. Amb.	Breakdown Torque	Peak Output Power	
						In-Lbs.	HP				kW	In-Lbs.
3/4	29	1.5	65° C/149° F	70° C/158° F	42	2.1	1.6	1.5	65° C	49	2.3	1.7
1	48	1.4	65° C/149° F	66° C/151° F	52	2.5	1.9	1.4	65° C	74	3.5	2.6
1.5	59	1.3	65° C/149° F	66° C/151° F	76	3.8	2.8	1.3	65° C	90	4.3	3.2
2	63	1.25	65° C/149° F	66° C/151° F	80	4.0	3.0	1.25	65° C	112	5.3	4.0
3	65	1.0	65° C/149° F	66° C/151° F	95	4.5	3.4	1.0	65° C	125	5.9	4.4



Centrifugal Pump Submittal Data

CONSTRUCTION MATERIALS - PUMP AND MOTOR



IL0174

ITEM NO.	DESCRIPTION	MATERIALS
1	Motor, NEMA J - 1 PH -- Shell	Zinc-Clad Steel
1	Motor, NEMA J - 3 PH -- Shell	Zinc-Clad Steel
	Motor Access Cover	Valox
2	Mounting Ring	Cast Iron
3	Hex Hd. Cap Screws 3/8 x 3/4"	Plated Steel
4	Ring, Square Cut	Buna Rubber
5	Seal, Rotary w/Spring	Carbon/silicon carbide
6	Impeller, Plastic "P" Models	Noryl
6	Impeller, Brass "B" Models	Brass
7	Diffuser w/Insert	Aqualoy 45
8	Hex Hd. Cap Screws 1/4 x 1"	Plated Steel
9	Rubber Diffuser	Buna Rubber
10	Pump Body	Cast Iron
11	Hex Hd. Cap Screws 7/16 x 1"	Plated Steel
12	Base	Formed Steel
13	Hex Hd. Cap Screws 3/8 x 1/2"	Plated Steel

