

# LAWN SPRINKLER PUMPS

FW0075  
1020  
Supersedes  
0319



For lawn and turf sprinkling, irrigation and water transfer

## SPJ Self-Priming

- High capacity, high volume
- Cast iron pump body and mounting ring for long life
- Flint & Walling's Service Plus NEMA J, capacitor start, double ball bearing motors for continuous operation
- Easy access drain plug
- Rapid self-priming characteristics under maximum suction conditions



SPJ SERIES

---

Single or Three Phase

---

SPJ 3/4 - 3 HP

---



# SPJ SELF-PRIMING 3/4 - 3 HP SINGLE OR THREE PHASE

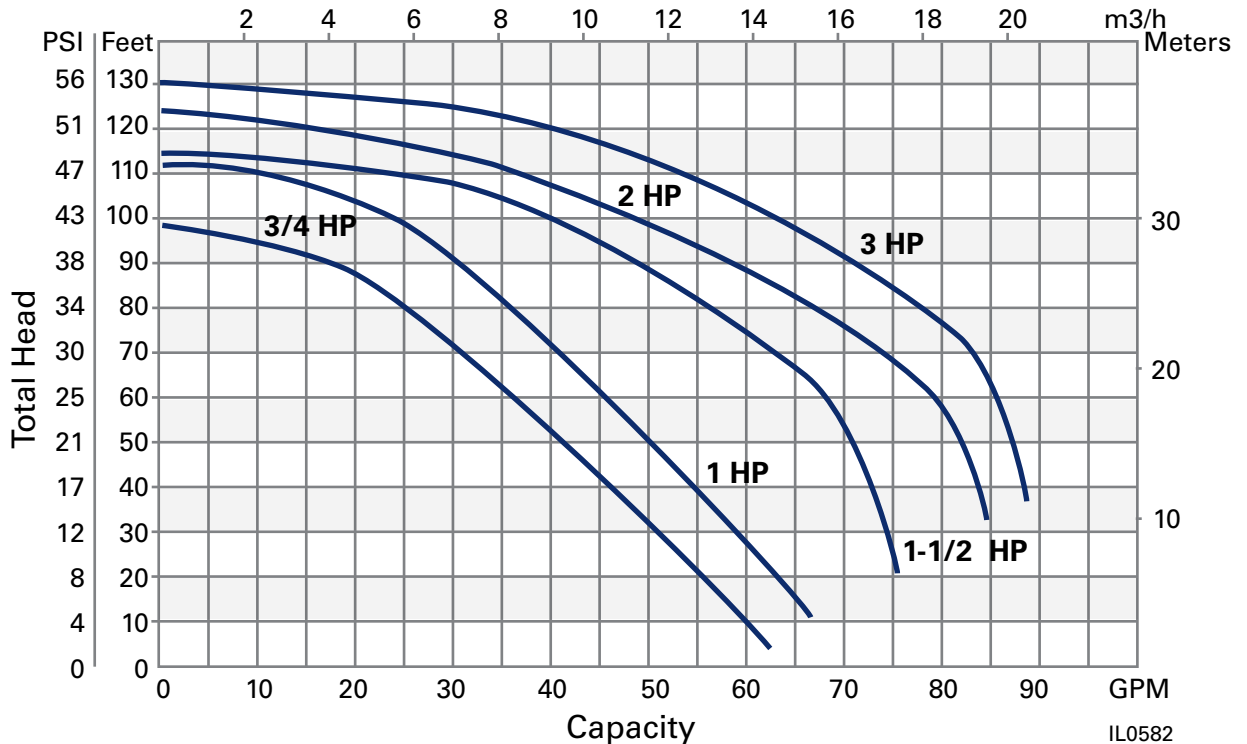
## PERFORMANCE CHART

| Model Number       |           | HP                                 | Suction Lift Ft. | Discharge Pressure PSI |    |    |    |    |    |    |    | Shut-Off Pressure PSI | Suction Pipe Tap | Disch. Pipe Tap |
|--------------------|-----------|------------------------------------|------------------|------------------------|----|----|----|----|----|----|----|-----------------------|------------------|-----------------|
|                    |           |                                    |                  | 10                     | 15 | 20 | 25 | 30 | 35 | 40 | 45 |                       |                  |                 |
| 1 Phase            | 3 Phase   | Capacity - U.S. Gallons per Minute |                  |                        |    |    |    |    |    |    |    |                       |                  |                 |
| SPJ07P1            | SPJ07P3   | 3/4                                | 5                | 56                     | 48 | 42 | 37 | 29 | 21 |    |    | 41                    | 2"               | 1-1/2"          |
|                    |           |                                    | 15               | 47                     | 42 | 37 | 29 | 22 | 12 |    | 37 |                       |                  |                 |
|                    |           |                                    | 25               | 43                     | 37 | 31 | 22 | 10 |    | 33 |    |                       |                  |                 |
| SPJ10P1            | SPJ10P3   | 1                                  | 5                | 58                     | 53 | 48 | 43 | 38 | 32 | 23 | 11 | 48                    | 2"               | 1-1/2"          |
|                    |           |                                    | 15               | 53                     | 48 | 45 | 37 | 31 | 24 | 12 | 43 |                       |                  |                 |
|                    |           |                                    | 25               | 48                     | 44 | 38 | 33 | 25 | 14 | 39 |    |                       |                  |                 |
| SPJ15P1<br>SPJ15B1 | SPJ15B3   | 1-1/2                              | 5                | 78                     | 77 | 74 | 70 | 62 | 53 | 43 | 30 | 47                    | 2"               | 1-1/2"          |
|                    |           |                                    | 15               | 70                     | 68 | 66 | 62 | 53 | 43 | 30 | 41 |                       |                  |                 |
|                    |           |                                    | 25               | 47                     | 46 | 45 | 44 | 42 | 34 | 36 |    |                       |                  |                 |
| SPJ20B1            | SPJ20B3   | 2                                  | 5                | 86                     | 84 | 81 | 77 | 71 | 62 | 52 | 40 | 50                    | 2"               | 1-1/2"          |
|                    |           |                                    | 15               | 76                     | 74 | 72 | 69 | 64 | 55 | 43 | 45 |                       |                  |                 |
|                    |           |                                    | 25               | 52                     | 51 | 50 | 47 | 45 | 42 | 30 | 40 |                       |                  |                 |
| SPJ30B1            | SPJ30B3** | 3                                  | 5                | 88                     | 86 | 85 | 84 | 80 | 73 | 64 | 53 | 54                    | 2"               | 1-1/2"          |
|                    |           |                                    | 15               | 77                     | 76 | 75 | 74 | 72 | 65 | 55 | 43 | 50                    |                  |                 |
|                    |           |                                    | 25               | 54                     | 53 | 52 | 51 | 50 | 49 | 45 | 45 |                       |                  |                 |

Motor voltage: Single Phase 3/4 - 2 HP - 115/230V; 3 HP - 230V, 60Hz  
 Three Phase 3/4 - 2 HP - 208 - 230/460V, 50/60Hz; 3 HP - 208 - 230/460V, 60Hz  
 Maximum Case Pressure: 100 PSI

\*\*Less than 50% US content

## PERFORMANCE CURVES / SPECIFICATIONS

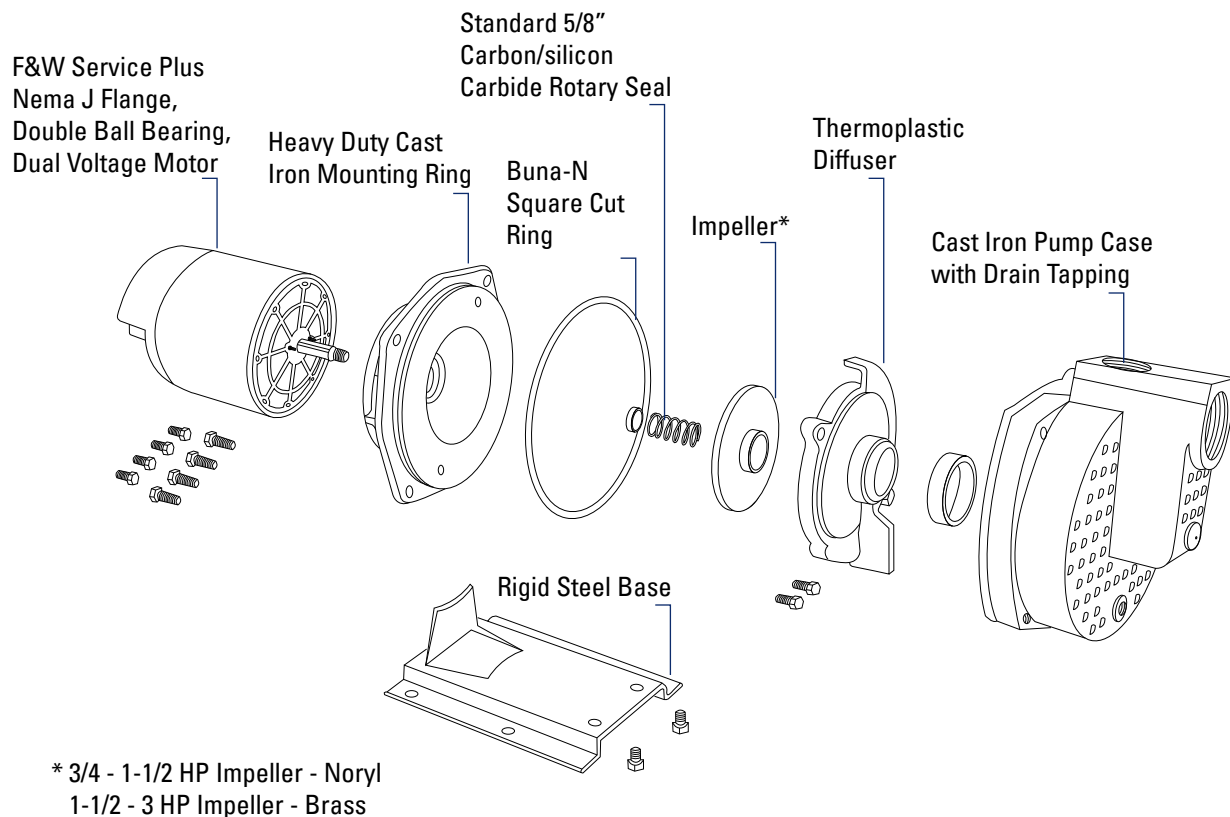


# SPJ SELF-PRIMING 3/4 - 3 HP SINGLE OR THREE PHASE

## SPECIFICATIONS

| HP    | Type      | Volts       | Hz    | RPM       | Motor Voltage<br>(Factory)<br>Connected | Service Factor Motor Amps |      |             |      | Max<br>Liquid<br>Temp | Max<br>Suction<br>Lift |
|-------|-----------|-------------|-------|-----------|---|---------------------------|------|-------------|------|-----------------------|------------------------|
|       |           |             |       |           |   | Single Phase              |      | Three Phase |      |                       |                        |
|       |           |             |       |           |   | 115V                      | 230V | 230V        | 460V |                       |                        |
| 3/4   | Single Ph | 115/230     | 60    | 3450      | 115V                                    | 14.0                      | 7.0  | -           | -    | 180°F                 | 25 Ft.                 |
| 1     |           |             |       |           | 230V                                    | 18.0                      | 9.0  |             |      |                       |                        |
| 1-1/2 |           |             |       |           |   | 21.0                      | 10.5 |             |      |                       |                        |
| 2     |           |             |       |           |   | 25.0                      | 12.5 |             |      |                       |                        |
| 3     |           |             |       |           |   | -                         | 13.5 |             |      |                       |                        |
| 3/4   | Three Ph  | 208-230/460 | 60/50 | 3450/2850 | 230V                                    | -                         | -    | 3.5         | 1.75 | 180°F                 | 25 Ft.                 |
| 1     |           |             |       |           |   |                           |      | 4.5         | 2.25 |                       |                        |
| 1-1/2 |           |             |       |           |   |                           |      | 5.7         | 2.85 |                       |                        |
| 2     |           |             |       |           |   |                           |      | 7.4         | 3.70 |                       |                        |
| 3     |           |             |       |           |   |                           |      | 9.8         | 4.90 |                       |                        |

Suction lift varies, depending upon elevation (altitude) and water temperatures.



## SERVICE

- Selecting the Right Application
- Pump Sizing & Specifications
- Installation Tips
- Pump Troubleshooting

Contact F&W Product Support

**800-742-5044**

[tech@FlintandWalling.com](mailto:tech@FlintandWalling.com)

7:30am - 5:00pm Mon - Fri

Over 90% of phone calls to Product Support are answered by a live person within three rings!

## TRAINING

- Factory Tours & Training
- CEU Accreditation
- Local Branch Training
- Web Conferences

Contact Dan Painter  
F&W Product Training &  
Development Manager

**260-615-9795**

[dpainter@FlintandWalling.com](mailto:dpainter@FlintandWalling.com)

Dan has over 37 years of experience in the water systems industry

*Flint & Walling, a family-owned American manufacturer of premium pumps, motors and controls. Built on proven, comprehensive testing and generations of deep personal relationships with loyal customers and employees. A legacy of high-quality, American-made products where trust flows through everything we do.*

