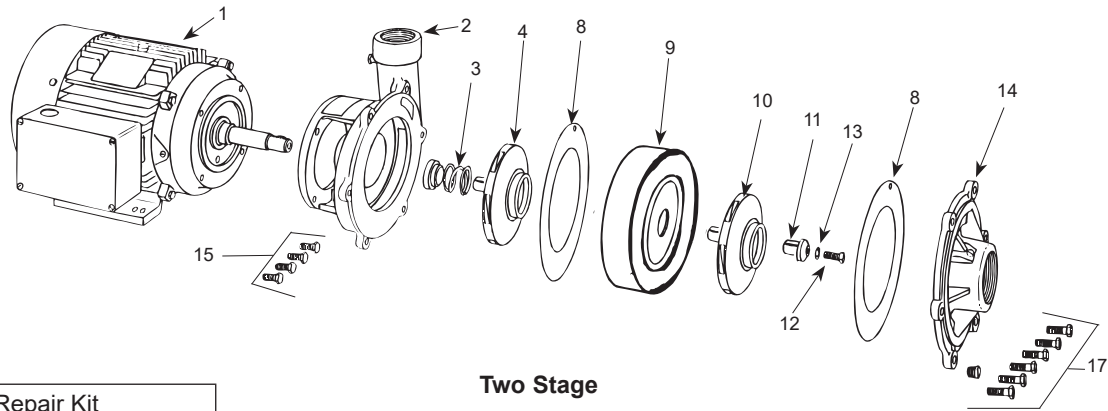


CENTRIFUGAL PUMP REPAIR PARTS "C22000" SERIES (For Pricing Refer To Repair Parts Price List)



Two Stage

Product may not be exactly as shown.

021434 Repair Kit Kit Includes:		
Qty.	Item No.	Part No. & Description
1	3	136559 Seal Assembly
1	•	136576 O-Ring, Cap Screw
1	•	136572 O-Ring, Impeller
1	•	136569 O-Ring, Impeller
2	8	124638 Gasket

ITEM	DESCRIPTION	HORSEPOWER	3	5	7-1/2
		STAGE	2	2	2
		SINGLE PHASE	C22231	C22251	—
		THREE PHASE	C22233	C22253	C22273
		PART NUMBER			
1	Motor — 1 Phase	134962	134963	—	
1	Motor — 3 Phase	134965	134966	134967	
2	Mounting Ring	136556	136556	136556	
3	Seal Assembly	136559	136559	136559	
	• Key 3/16 x 27/32"	—	—	—	
	• Key 3/16 x 2-1/32"	134977	134977	134977	
4	Impeller	136563	136565	136567	
	• O-Ring, Impeller	136569	136569	136569	
5	Retainer, Impeller	—	—	—	
6	Cap Screw 1" Long	—	—	—	
	• O-Ring, Cap Screw	—	—	—	
7	Lock Washer 3/8" S.S.	—	—	—	
8	Gasket	124638 (2)	124638 (2)	124638 (2)	
9	Intermediate Stage w/Clearance Ring	136578	136578	136578	
	• Clearance Ring - Large	125176	125176	125176	
	• Clearance Ring - Small	136577	136577	136577	
10	Impeller (Front)	136564	136566	136568	
11	Retainer, Impeller	136571	136571	136571	
	• O-Ring, Impeller	136572	136572	136572	
12	Cap Screws 2-1/4" Long	136575	136575	136575	
	• O-Ring, Cap Screw	136576	136576	136576	
13	Lock Washer 3/8" S.S.	120649	120649	120649	
14	Suction Flange Assembly w/Clearance Ring	023089	023089	023089	
	• Clearance Ring	125176	125176	125176	
	• Pipe Plug 1/4" NPT	* (5)	* (5)	* (5)	
15	Hex Hd. Cap Screws 3/8 x 1"	* (4)	* (4)	* (4)	
16	Hex Hd. Cap Screws 3/8 x 1-1/4"	—	—	—	
17	Hex Hd. Cap Screws 3/8 x 3-1/4"	* (6)	* (6)	* (6)	

(*) Standard hardware item
(•) Not shown
N/A Not available