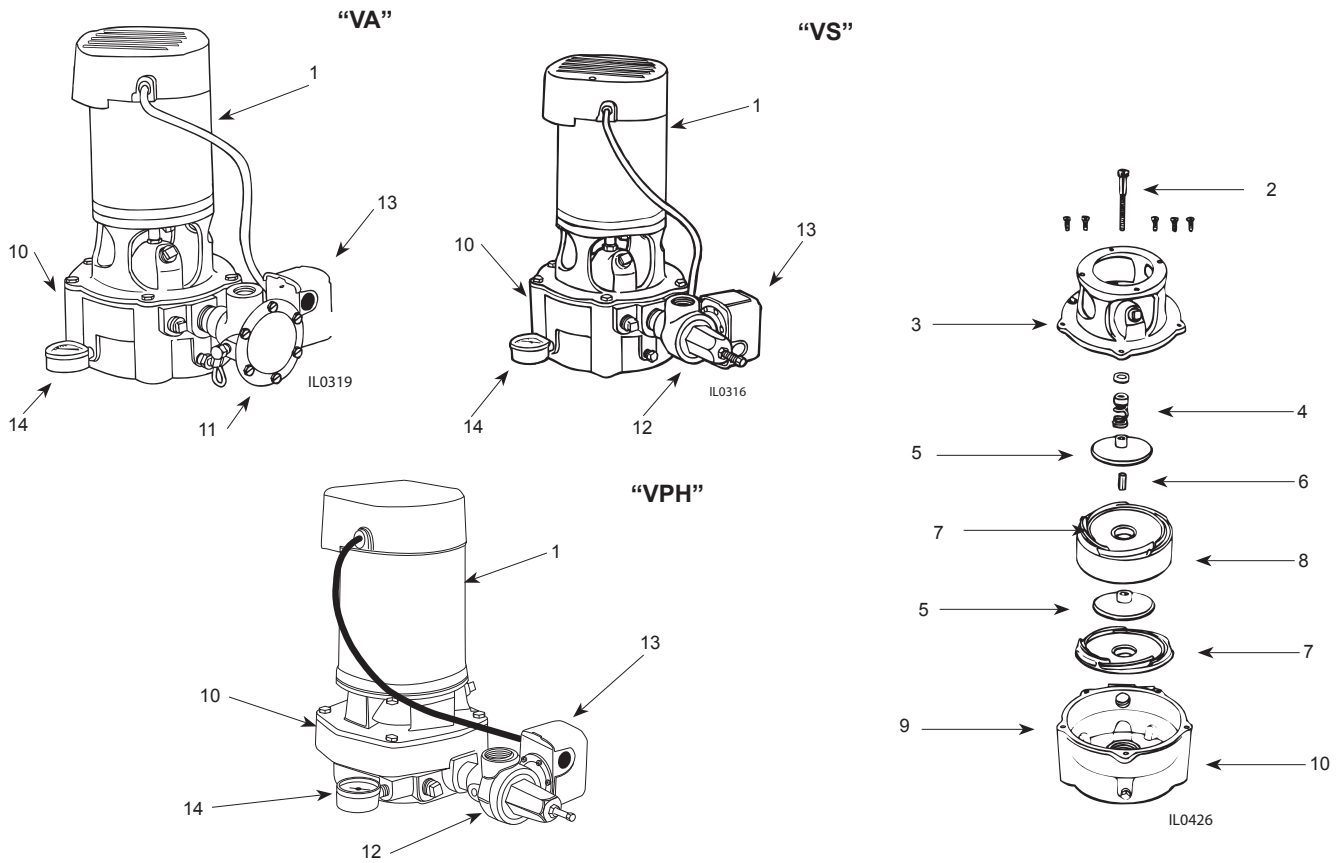


DEEP WELL JET PUMP REPAIR PARTS “VA”, “VS” & “VPH” SERIES (For Pricing Refer To Repair Parts Price List)



ITEM	DESCRIPTION	HORSEPOWER	1/2	3/4	1	1-1/2	1
		STAGE	1	2	2	2	1
		MODEL NO.	VA105P VS105P	VA207P VS207P	VA210P VS210P	VA215P VS215P	VPH10
		PART NO.	QTY.				
1	Motor, Nema J (Thd)		98H105	98H107	98H110	98H115	98J110
	Motor Cover w/screws	023212	1	1	1	1	1
‡	Screws Cover	021302	2	2	2	2	2
	Motor Lead Wire		136135A	136135A	136135A	136136A	136135A
2	Shaft		135238	135239	135239	135239	N/R
3	Mounting Ring	135235	1	1	1	1	136873
	Hex Hd. Cap Screws 3/8 x 3/4"	*	9	9	9	9	8
4	Seal, Rotary w/Spring	131100	1	1	1	1	1
5	Impeller †		135248	127960	132613	135248	134138
6	Spacer, Shaft	135245	—	1	1	1	—
‡	Spacer, Suction	135243	1	—	—	—	—
7	Diffuser †		135242	135241	135241	135242	132425
8	Intermediate Stage	135246	—	1	1	1	—
‡	Bearing, Intermediate Stage	135247	—	1	1	1	—
9	Ring, Square Cut	135240	1	1	1	1	132429
‡	Rubber, Diffuser	132428	—	—	—	—	1
10	Pump Body	135237	1	1	1	1	134312
11	Control Valve “VA”		C981D	C981G	C981G	C981G	—
12	Control Valve “VS” & “VPH”		132446	133383	133383	133383	132446
13	Pressure Switch	020346	1	1	1	1	1
14	Pressure Gauge	023294	1	1	1	1	1
‡	Plug, Priming 1/2" NPT	*	2	2	2	2	2
‡	Plug, Drain 1/4" NPT	*	1	1	1	1	1

(*) Standard hardware item
(†) For quantity required — See number of stages
(‡) Not shown

NOTE: For horizontal installations, use optional pump base 135276A